

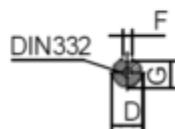
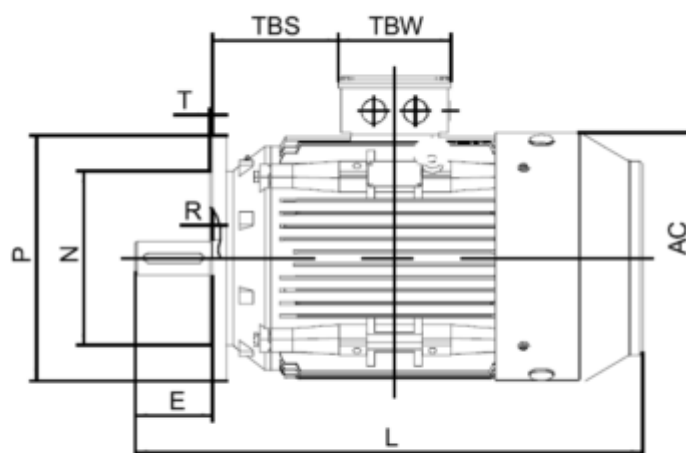
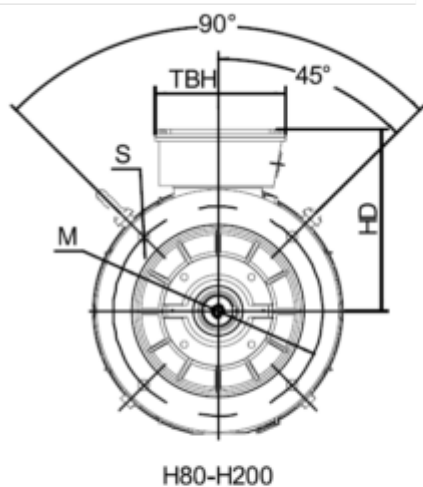
Data Sheet



Article number: 250301500224

Description: Kleedrive T3C 160M2-2 15.0KW 2800 rpm
3x400/690V 50HZ IP55 B5 Eff=91,9%

Measures



| | | |
|-----------|-----------|-----------|
| AA = 316 | K = Ø15 | TBH = 187 |
| AC = Ø313 | L = 605 | TBS = 91 |
| AD = 404 | M = Ø300 | TBW = 162 |
| D = Ø42 | N = Ø260 | |
| E = 110 | P = Ø350 | |
| F = - | R = 0 | |
| G = 37 | S = 5 | |
| HD = 244 | T = 4xØ19 | |